

ATTS

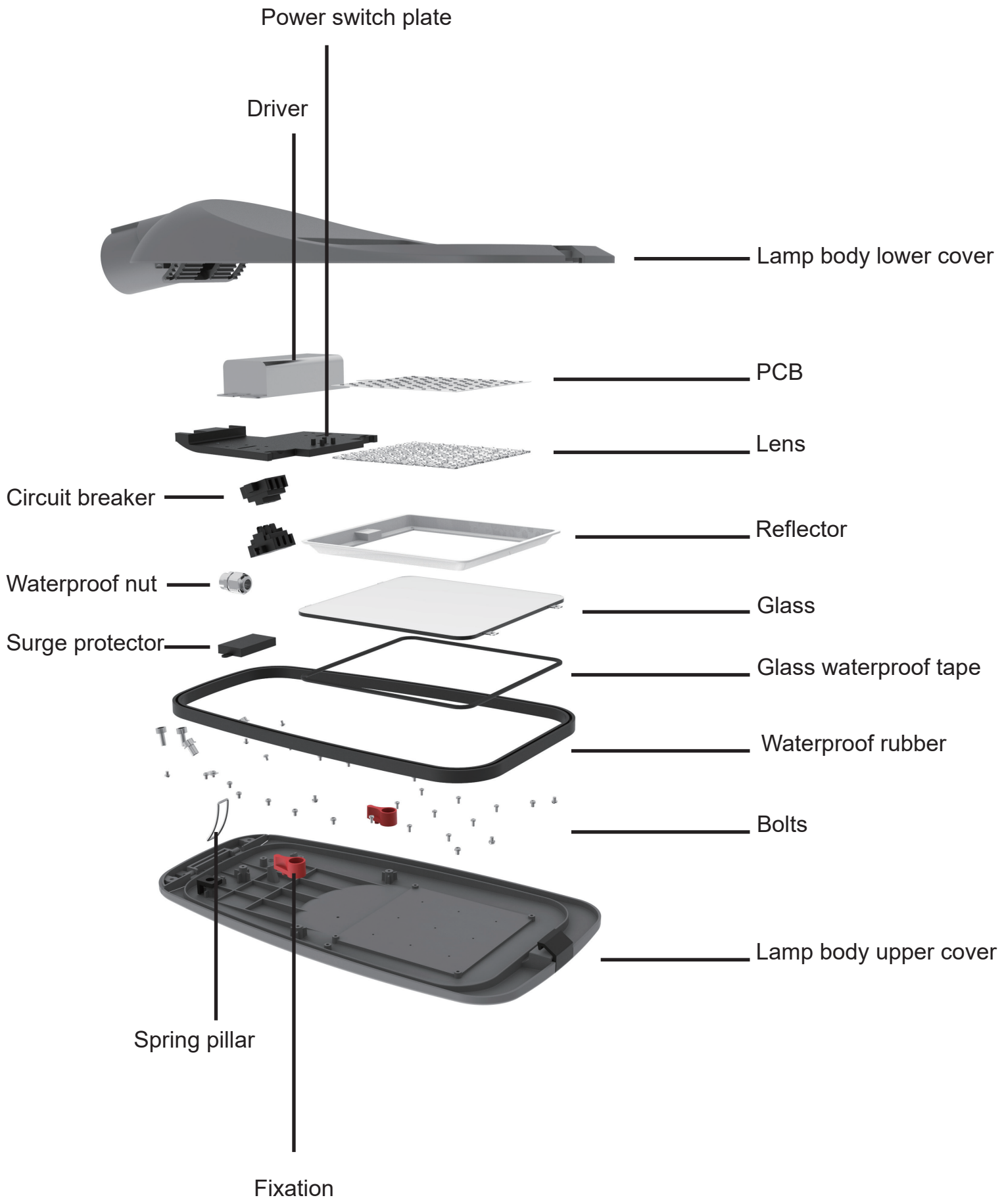
130Lm/w



LED Street Light

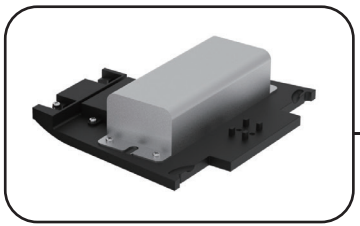
MOON I

LED Street Light



LED Street Light

Removable plastic base plate



Tool free opening

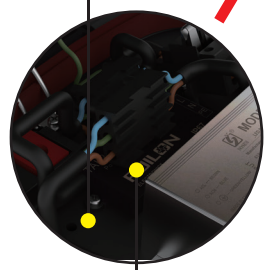


Large area heat dissipation



Stainless steel spring pillar

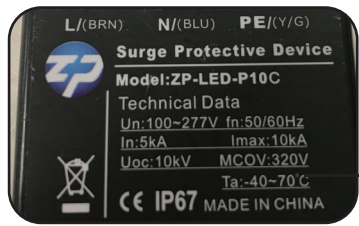
Electrical disconnecter



Different LED driver is optional



Plug design for the light source, power supply and external wires, easy for your installation and maintenance.



SPD 10KV(option)

IP66 Electronic Compartment

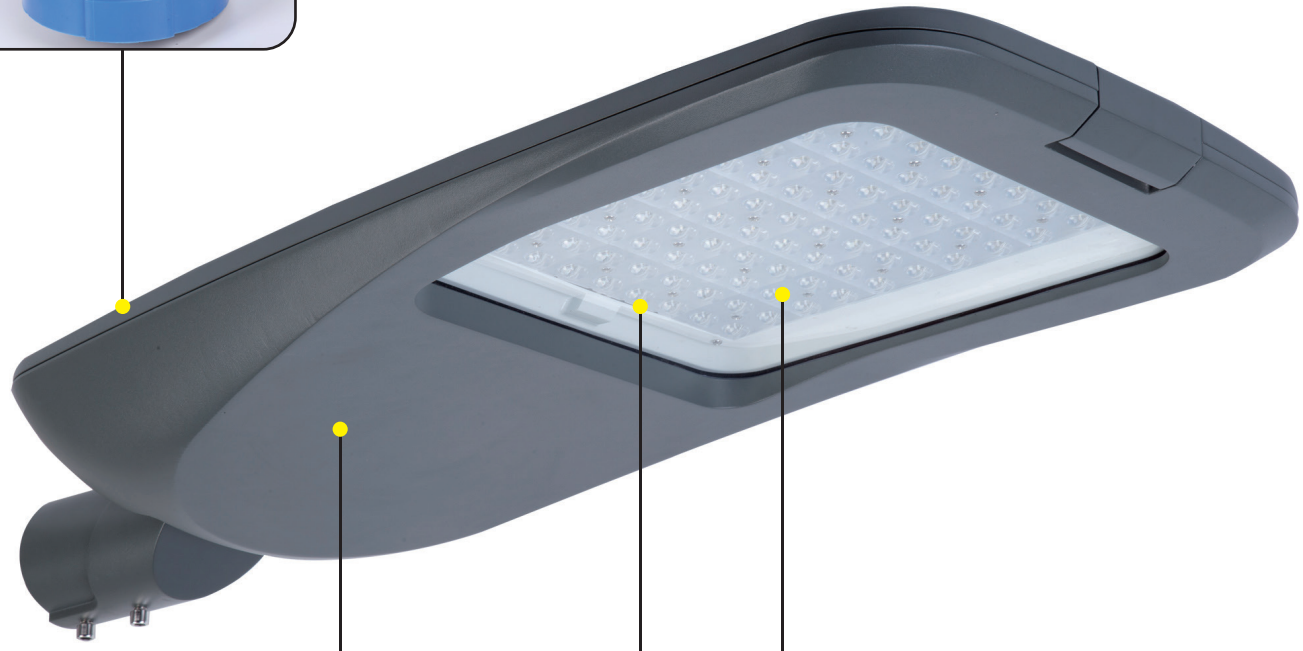


LED Street Light



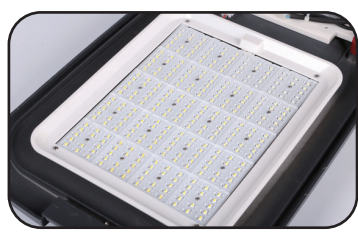
Side-entry or post-top mounting universal mounting piece allows precise

Optical control sensor



Extra-clear flat glass protector

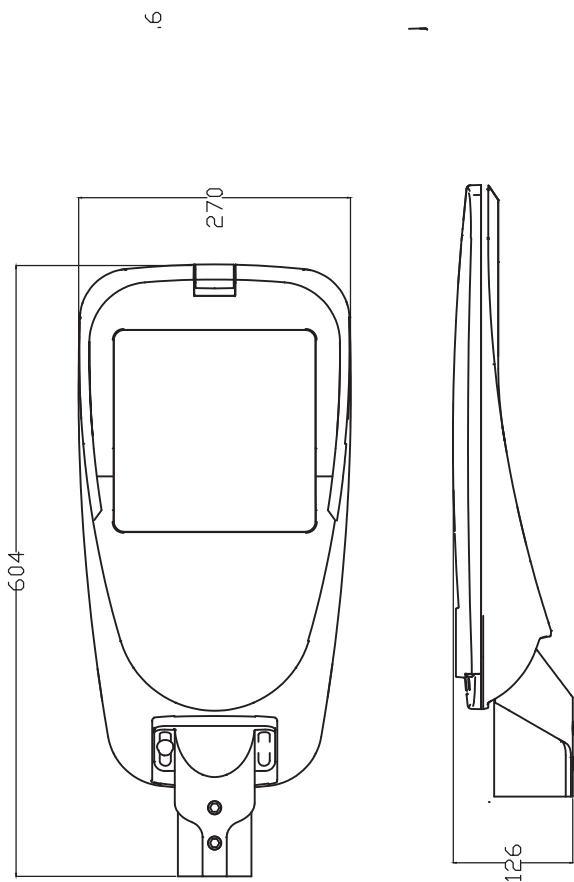
Die-casting



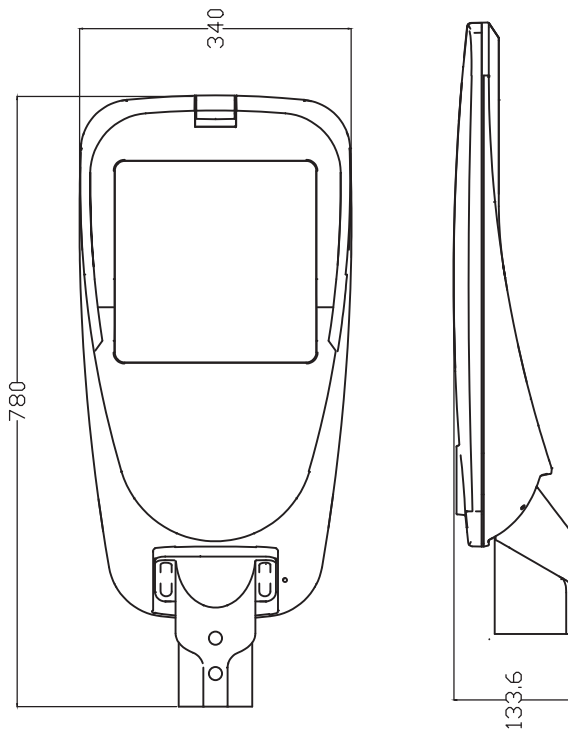
Lens

Outline Drawing(MM)

40~300Watts



100W~120W

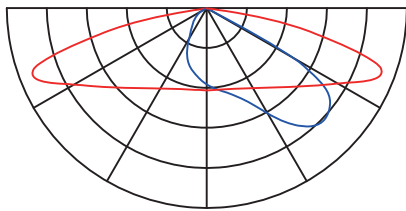


150W~300W

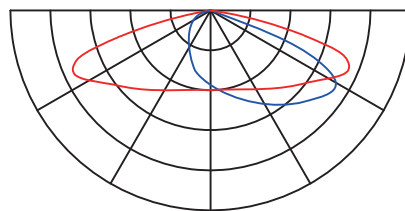
Feature

- IP66 and IK09
- Tool free opening
- On-site adjustable inclination angle
- Streamline design
- Universal mounting piece
- 2 size optional
- Multiple beam angle

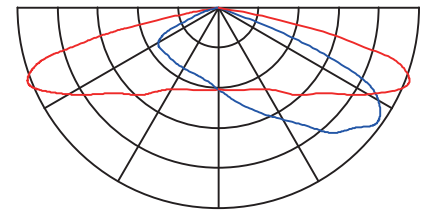
Light Distribution Curve



T2-M



T3-M



T4-M

Specification

Input Voltage	AC100~277V
LED Spec.	SMD3030
Operating Temperature	-30C°~50C°
Smart Control Options	1-10V/DALI/Photocell/NB-IOT
Luminous Eff	130Lm/w
Structure	Die-casting ADC12
Finish	Powder coated
Lens	Polycarbonate
Color	Grey
Ra	>70

Applications

